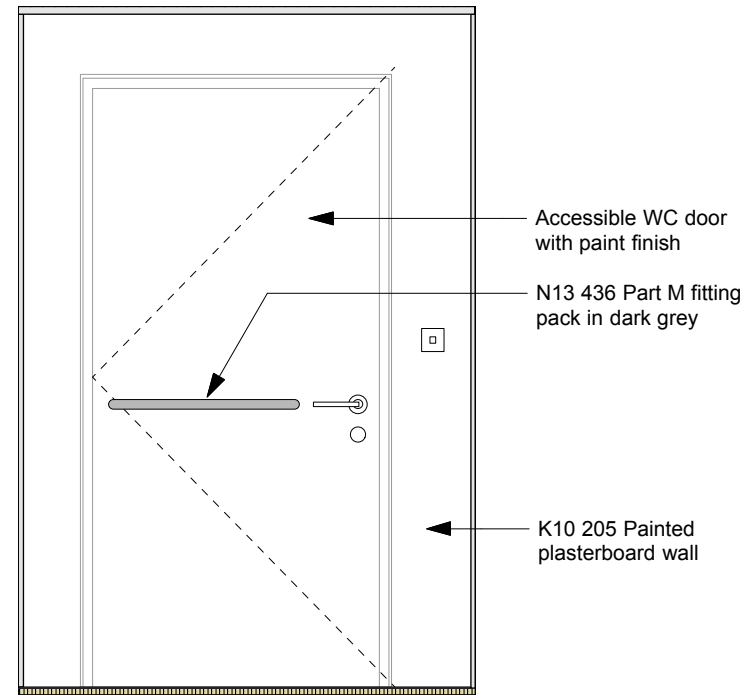
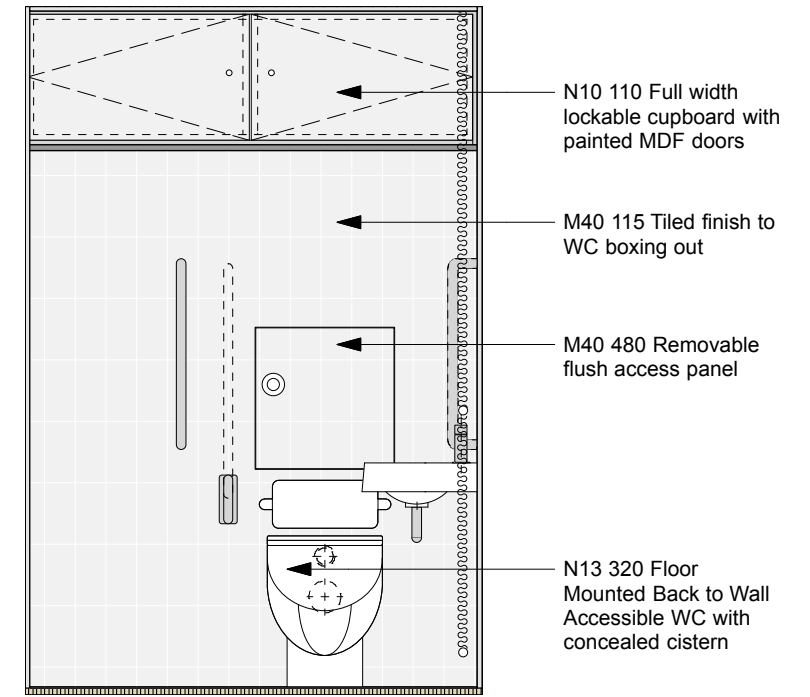


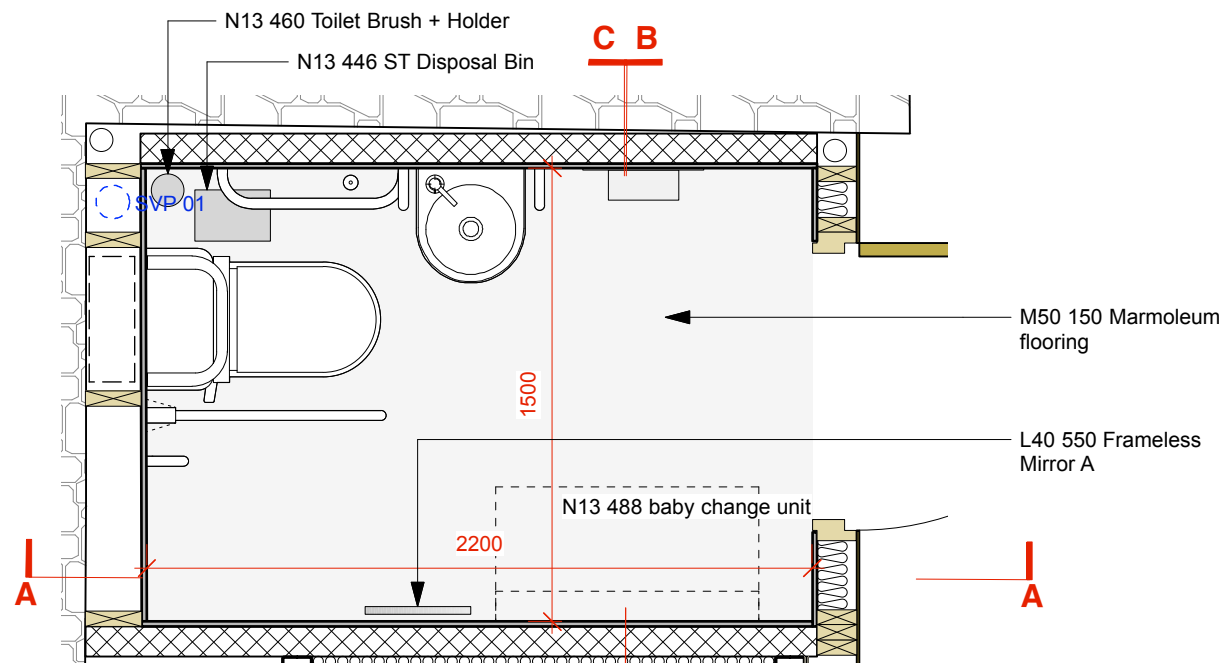
2 Section A  
Scale: 1:25



3 Section B  
Scale: 1:25



4 Section C  
Scale: 1:25



1 Plan  
Scale: 1:25

<p><b>general</b></p> <ul style="list-style-type: none"> <li>all drawings are copyright</li> <li>do not scale drawing</li> <li>report all discrepancies to project administrator</li> <li>all dimensions to be checked on site</li> </ul>	<p><b>key</b></p>	<p><b>notes</b></p> <p>Further Details of Finishes / Wall Floor / Ceiling Build-Ups on GA150.</p>	<p><b>rev</b></p> <p>T1: 14.03.19 - NBS Notation Added</p> <p>T2: 08.04.19 - Notation Updated</p> <p><b>Stage 4 - TENDER ISSUE</b></p>	<table border="1"> <tr> <td>project:</td> <td>Tavistock Guildhall &amp; Police Station</td> <td>date:</td> <td>Dec 2018</td> <td>scale:</td> <td>1:25 @ A3</td> <td>drawn:</td> <td></td> </tr> <tr> <td>drawing title:</td> <td>Accessible WC LG01 Details</td> <td>job no:</td> <td>1041</td> <td>drawing no:</td> <td>C-317</td> <td>rev:</td> <td>T2</td> </tr> <tr> <td colspan="8" style="text-align: center;"><b>gillespie yunnie architects</b></td> </tr> <tr> <td colspan="8" style="text-align: center; font-size: small;">Lower Tweed Mill Shimmers Bridge Dartington Devon TQ9 6JB t 01803 860010 f 01803 864929 e info@gyarchitects.co.uk</td> </tr> </table>	project:	Tavistock Guildhall & Police Station	date:	Dec 2018	scale:	1:25 @ A3	drawn:		drawing title:	Accessible WC LG01 Details	job no:	1041	drawing no:	C-317	rev:	T2	<b>gillespie yunnie architects</b>								Lower Tweed Mill Shimmers Bridge Dartington Devon TQ9 6JB t 01803 860010 f 01803 864929 e info@gyarchitects.co.uk							
project:	Tavistock Guildhall & Police Station	date:	Dec 2018	scale:	1:25 @ A3	drawn:																														
drawing title:	Accessible WC LG01 Details	job no:	1041	drawing no:	C-317	rev:	T2																													
<b>gillespie yunnie architects</b>																																				
Lower Tweed Mill Shimmers Bridge Dartington Devon TQ9 6JB t 01803 860010 f 01803 864929 e info@gyarchitects.co.uk																																				