

KEY:



PAVING REPLACEMENT PERMEABLE PAVING MARSHALLS PRIORA OR SIMILAR.

65mm MARSHALLS PRIORA.

LAYING COURSE  
50mm LAYING COURSE 2-6mm OGCR.

FILTRATION MEMBRANE  
MT120 FILTRATION TEXTILE.

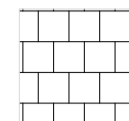
SUBBASE  
150mm SUBBASE 4-20 OGCR.

GEOGRID  
MG15 GEOGRID.

FILTRATION MEMBRANE  
MT120 FILTRATION MEMBRANE.

NOTE: PEDESTRIAN FOOT TRAFFIC ONLY.

KEY:



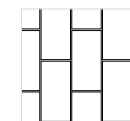
PAVING GRANITE PAVING TO MATCH GUILDHALL SQUARE.

LAYING COURSE  
50mm BEDDING SAND COMPLYING WITH CLAUSE 11.8.5 OF DEVON COUNTY COUNCIL DESIGN GUIDE.

GEOTEXTILE  
TERRAM 1000 OR SIMILAR APPROVED SEPARATION MEMBRANE.

SUB-BASE  
150mm THICK GRANULAR MATERIAL TYPE 1 TO DoT SPECIFICATION CLAUSE 803. GRANULAR MATERIAL LAID IN ACCORDANCE WITH DoT SPECIFICATION CLAUSE 802.

KEY:



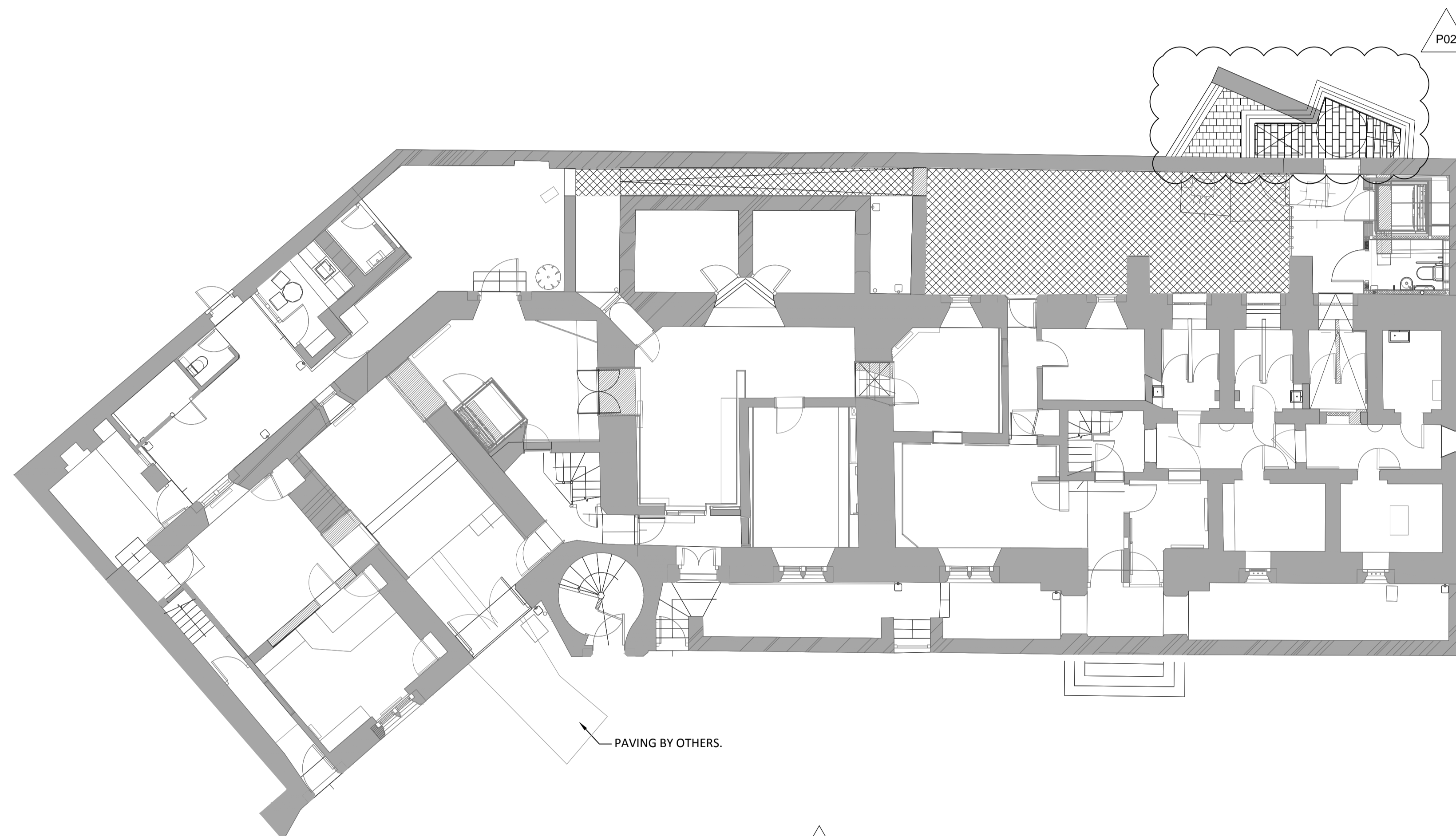
PAVING GRANITE PAVING TO MATCH GUILDHALL SQUARE.

LAYING COURSE  
30mm MORTAR BED

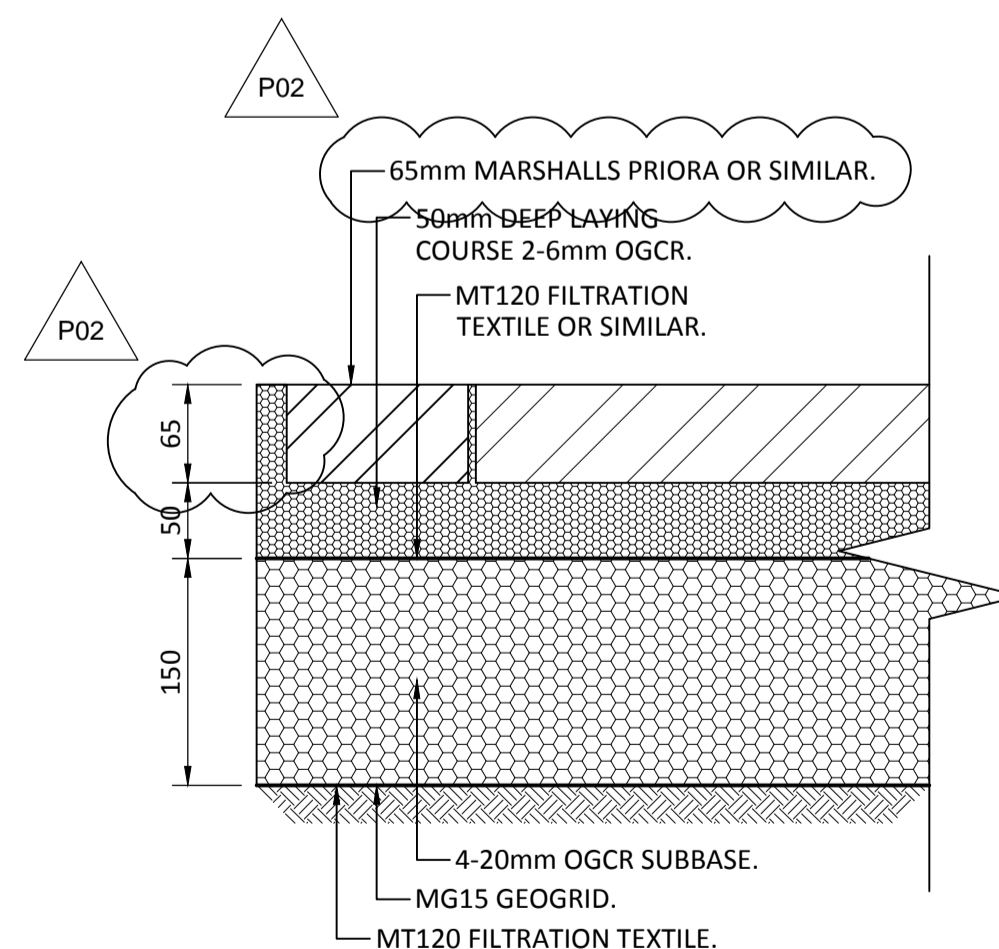
SLAB  
150mm THICK PAV2 CONCRETE SLAB WITH 1 LAYER A142 FABRIC REINFORCEMENT.

SEPARATION MEMBRANE  
WATERPROOF MEMBRANE TO BE MIN 250 MICRONS THICK WITH MINIMUM 300mm OVERLAP.

P02



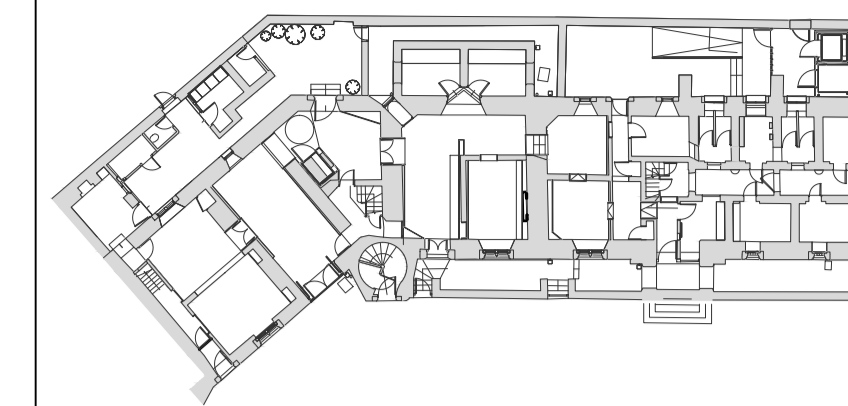
PAVING BY OTHERS.



DETAIL

SCALE 1:5

KEYPLAN



NOTES

1. ALL DIMENSIONS ARE TO BE CHECKED ON SITE BEFORE THE COMMENCEMENT OF WORKS. ANY DISCREPANCIES ARE TO BE REPORTED TO THE ARCHITECT & ENGINEER FOR VERIFICATION. FIGURED DIMENSIONS ONLY ARE TO BE TAKEN FROM THIS DRAWING.
2. THIS DRAWING IS TO BE READ IN CONJUNCTION WITH ALL RELEVANT ENGINEERS' AND SERVICE ENGINEERS' DRAWINGS AND SPECIFICATIONS. THIS DRAWING IS COPYRIGHT.
3. ALL WORK TO COMPLY WITH THE RELEVANT BRITISH STANDARDS, CODES OF PRACTICE AND BUILDING REGULATIONS.

REVISIONS

REV	DATE	CHECKED BY	DATE	APPROVED BY	DATE
P02	NOTES UPDATED				
N.FIRTH	25/04/19	J.COATES	25/04/19	J.COATES	25/04/19
P01	FIRST ISSUE				
N.FIRTH	04/04/19	J.COATES	04/04/19	J.COATES	04/04/19

**Hydrock** Lobb Shippon  
Plympton  
Plymouth  
PL7 5BP  
t: +44 (0) 1752 347515  
e: plymouth@hydrock.com

CLIENT  
TAVISTOCK GUILDHALL

PROJECT  
TAVISTOCK GUILDHALL

TITLE  
EXTERNAL WORKS

HYDROCK PROJECT NO.  
C-03482

SCALE @ A1  
As indicated

STATUS DESCRIPTION  
SUITABLE FOR TENDER

STATUS  
D2

DRAWING NO. (PROJECT CODE-ORIGINATOR-ZONE-LEVEL-TYPE-ROLE-NUMBER)  
TGH-HYD-XX-ZZ-DR-S-0200

REVISION  
P02